

Dual Remote Resistor-Programmable Temperature Switches

Features

- Dual Remote Temperature Switches Set by Thermistor and External Resistors
- Open-Drain Active Low Output Stage
- Guaranteed Output Signal Valid to $V_{CC} = 0.8V$
- SOT-23-8 and AQFN1.5X1.5-8 Packages

Applications

- μP Temperature Monitoring in High-Speed Computers
- Temperature Control
- Temperature Alarms
- Fan Control
- Automotive

General Description

The G718 are fully integrated, resistor programmable dual remote temperature switches. The thresholds are set by external resistors and negative temperature coefficient thermistors. The G718 provides open-drain, active low over-temperature outputs for both sensors. These switches operate with a +2.7V to +5.5V single supply.

The G718 are available in 8-pin SOT-23 and AQFN1.5X1.5 packages.

Ordering Information

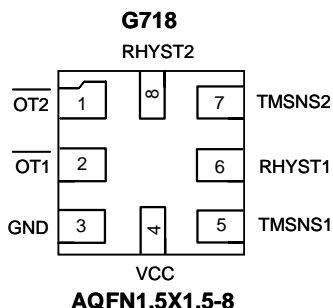
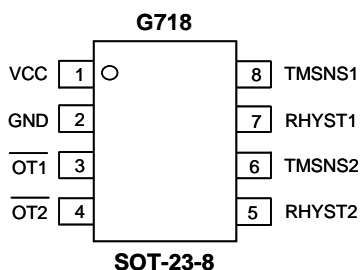
ORDER NUMBER	MARKING	TEMP. RANGE	PACKAGE (Green)
G718TM1U	718xx	-40°C to 125°C	SOT-23-8
G718A71U	78 xx	-40°C to 125°C	AQFN1.5X1.5-8

Note: TM: SOT-23-8 A7: AQFN1.5X1.5-8

1: Bonding Code

U: Tape & Reel

Pin Configuration



Typical Application Circuit

